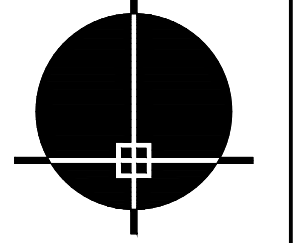


Sather
Design/Build, Inc.

10432 PURDEY ROAD
EDEN PRAIRIE, MN 55347
TEL (952) 829-7600
FAX (952) 829-9080

design & drafting by:

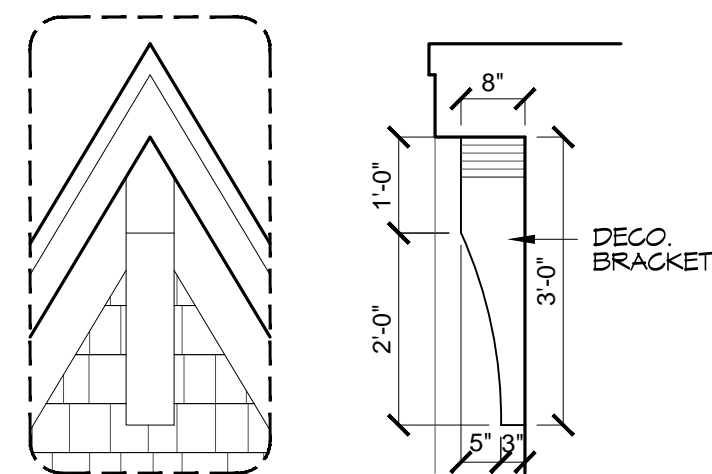


LINESCAPES
architectural
services LLC
952-942-6891

THESE IDEAS, DESIGNS, DRAWINGS AND SPECIFICATIONS ARE AND SHALL REMAIN THE EXCLUSIVE COPYRIGHT PROPERTY OF LINESCAPES. NO PART SHALL BE USED, COPIED OR DISCLOSED IN CONNECTION WITH ANY WORK OR PROJECT OTHER THAN THE SPECIFIED PROJECT FOR WHICH THEY HAVE BEEN PREPARED, WITHOUT THE WRITTEN CONSENT OF LINESCAPES. LINESCAPES ASSUMES NO RESPONSIBILITY FOR STRUCTURAL OR DIMENSIONAL ERRORS OR OMISSIONS. NO WARRANTIES ARE EXPRESSED OR IMPLIED INCLUDING COMPLIANCE OF THIS PLAN WITH APPLICABLE BUILDING CODE REQUIREMENTS. THE SELECTION AND APPLICATION OF CORRECT STRUCTURAL MATERIALS IS THE RESPONSIBILITY OF THE BUILDER, THE OWNER, OR THE USER OF THESE PLANS.



FRONT (NORTH) ELEVATION
1/4" = 1'-0"



1 GABLE DECO. BRACKETS
1 1/2" = 1'-0"

CONSTRUCTION NOTES

ALL DIMENSIONS, CONDITIONS & SPECIFICATIONS ARE SUBJECT TO FIELD VERIFICATION. ALL ITEMS ARE TO BE BUILT PER CODE REQUIREMENTS. SOME CHANGES MAY BE NECESSARY.

STRUCTURAL NOTES

STRUCTURAL MEMBERS ARE ENGINEERED BY SUPPLIER. REFER TO STRUCTURAL DRAWINGS FOR SIZING AND SPACING.

LEGAL NOTICE

NOTE: THESE PLANS WERE PREPARED FOR THIS RESIDENCE AS A MINIMUM SERVICE OF LINESCAPES ARCHITECTURAL SERVICES. THEY ARE NOT REPRESENTED TO BE COMPLETE DRAWINGS & SPECIFICATIONS. THE CONTRACTOR MUST VERIFY ALL DIMENSIONS & CONDITIONS. LINESCAPES DOES NOT ACCEPT ANY RESPONSIBILITY FOR OMISSIONS OR ERRORS CONTAINED HEREIN, AND THEREFORE NO LIABILITY FOR BUILDING FAILURES OR FAULTY CONSTRUCTION WILL BE ASSUMED.

SHEET INDEX

- 1 - FRONT ELEVATION
- 2 - REAR & SIDE ELEVATIONS
- 3 - LOWER LEVEL FLOOR PLAN
- 4 - MAIN LEVEL FLOOR PLAN
- 5 - UPPER LEVEL FLOOR PLAN
- 6 - ROOF PLAN & SECTION
- 7 - ELECTRICAL LAYOUTS

4617 CONCORD TERRACE - EDINA 55424

DATE OF PLANS:
5-30-22

SHEET
1



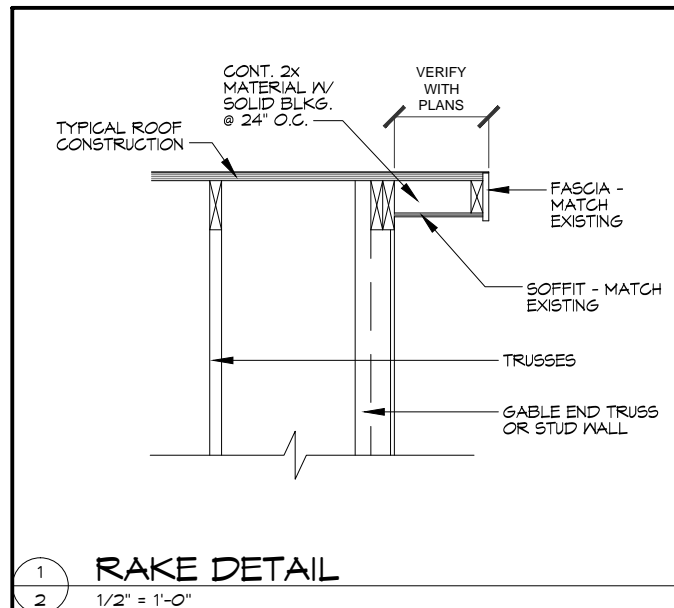
LEFT (EAST) ELEVATION

3/16" = 1'-0"



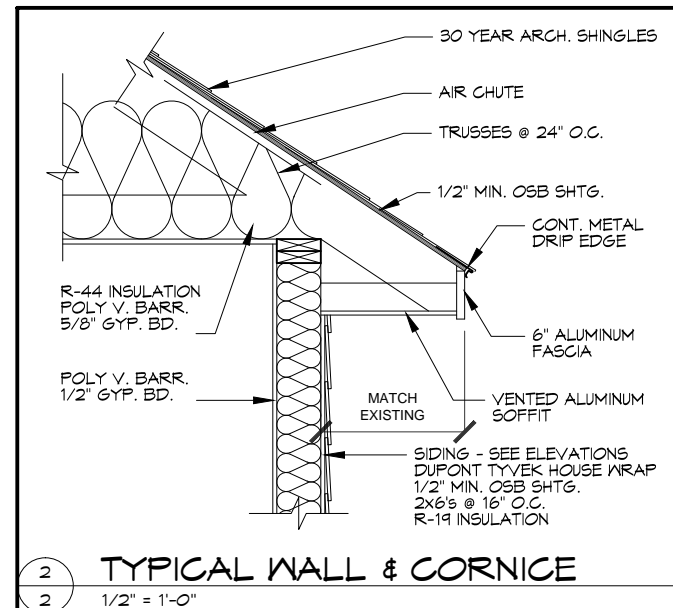
RIGHT (WEST) ELEVATION

3/16" = 1'-0"



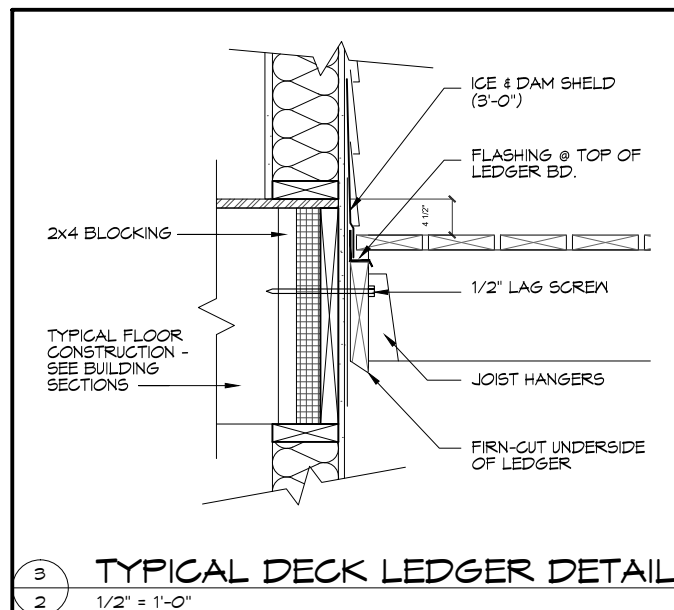
1 RAKE DETAIL

2 1/2" = 1'-0"



2 TYPICAL WALL & CORNICE

2 1/2" = 1'-0"



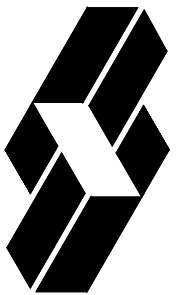
3 TYPICAL DECK LEDGER DETAIL

2 1/2" = 1'-0"



REAR (SOUTH) ELEVATION

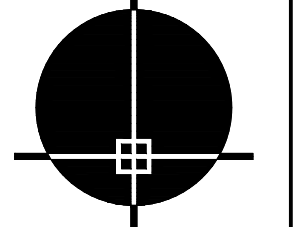
3/16" = 1'-0"



Sather
Design/Build, Inc.

10432 PURDEY ROAD
EDEN PRAIRIE, MN 55347
TEL (952) 829-7600
FAX (952) 829-9080

design & drafting by:



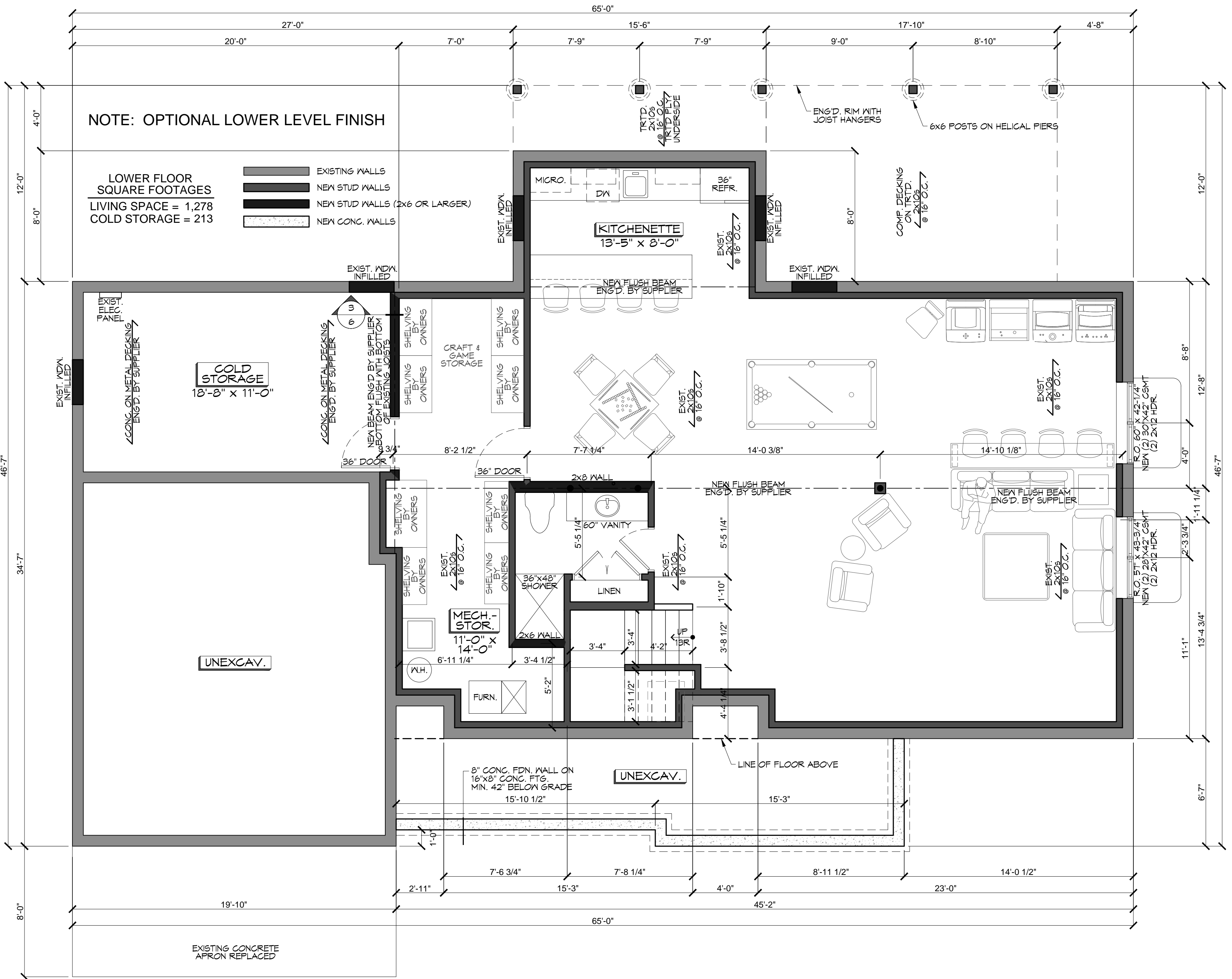
LINESCAPES
architectural
services LLC
952-942-6891

THESE IDEAS, DESIGNS, DRAWINGS AND SPECIFICATIONS ARE AND SHALL REMAIN THE EXCLUSIVE COPYRIGHT PROPERTY OF LINESCAPES. NO PART SHALL BE USED, COPIED OR DISCLOSED IN CONNECTION WITH ANY WORK OR PROJECT OTHER THAN THE SPECIFIED PROJECT FOR WHICH THEY HAVE BEEN PREPARED, WITHOUT THE WRITTEN CONSENT OF LINESCAPES. LINESCAPES ASSUMES NO RESPONSIBILITY FOR STRUCTURAL OR DIMENSIONAL ERRORS OR OMISSIONS. NO WARRANTIES ARE EXPRESSED OR IMPLIED INCLUDING COMPLIANCE OF THIS PLAN WITH APPLICABLE BUILDING CODE REQUIREMENTS. THE SELECTION AND APPLICATION OF CORRECT STRUCTURAL MATERIALS IS THE RESPONSIBILITY OF THE BUILDER, THE OWNER, OR THE USER OF THESE PLANS.

4617 CONCORD TERRACE - EDINA 55424

DATE OF PLANS:
5-30-22

SHEET
2



LOWER LEVEL FLOOR PLAN
 1/4" = 1'-0"

Sather
 Design/Build, Inc.

10432 PURDEY ROAD
 EDEN PRAIRIE, MN 55347
 TEL (952) 829-7600
 FAX (952) 829-9080

design & drafting by:

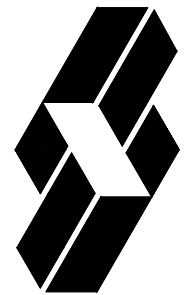
LINE SCAPES
 architectural
 services LLC
 952-942-6891

THESE IDEAS, DESIGNS, DRAWINGS AND SPECIFICATIONS ARE AND SHALL REMAIN THE EXCLUSIVE COPYRIGHT PROPERTY OF LINE SCAPES. NO PART SHALL BE USED, COPIED OR DISCLOSED IN CONNECTION WITH ANY WORK OR PROJECT OTHER THAN THE SPECIFIED PROJECT FOR WHICH THEY HAVE BEEN PREPARED, WITHOUT THE WRITTEN CONSENT OF LINE SCAPES. LINE SCAPES ASSUMES NO RESPONSIBILITY FOR STRUCTURAL OR DIMENSIONAL ERRORS OR OMISSIONS. NO WARRANTIES ARE EXPRESSED OR IMPLIED INCLUDING COMPLIANCE OF THIS PLAN WITH APPLICABLE BUILDING CODE REQUIREMENTS. THE SELECTION AND APPLICATION OF CORRECT STRUCTURAL MATERIALS IS THE RESPONSIBILITY OF THE BUILDER, THE OWNER, OR THE USER OF THESE PLANS.

4617 CONCORD TERRACE - EDINA 55424

DATE OF PLANS:
5-30-22

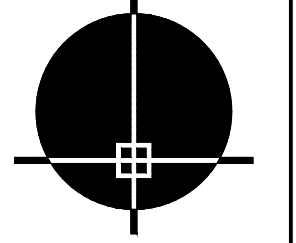
SHEET
3



Sather
Design/Build, Inc.

10432 PURDEY ROAD
EDEN PRAIRIE, MN 55347
TEL (952) 829-7600
FAX (952) 829-9080

design & drafting by:



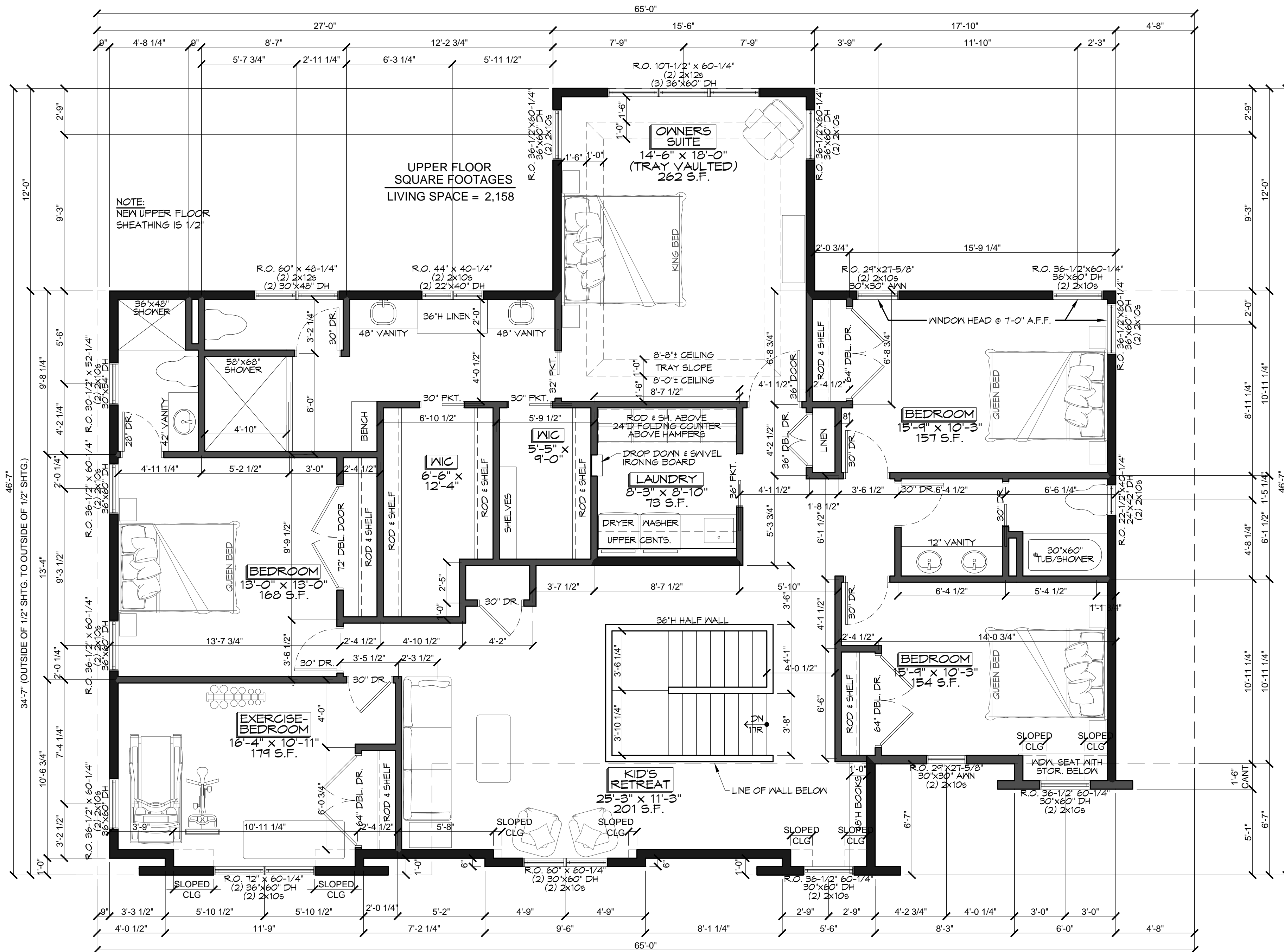
LINE SCAPES
architectural
services LLC
952-942-6891

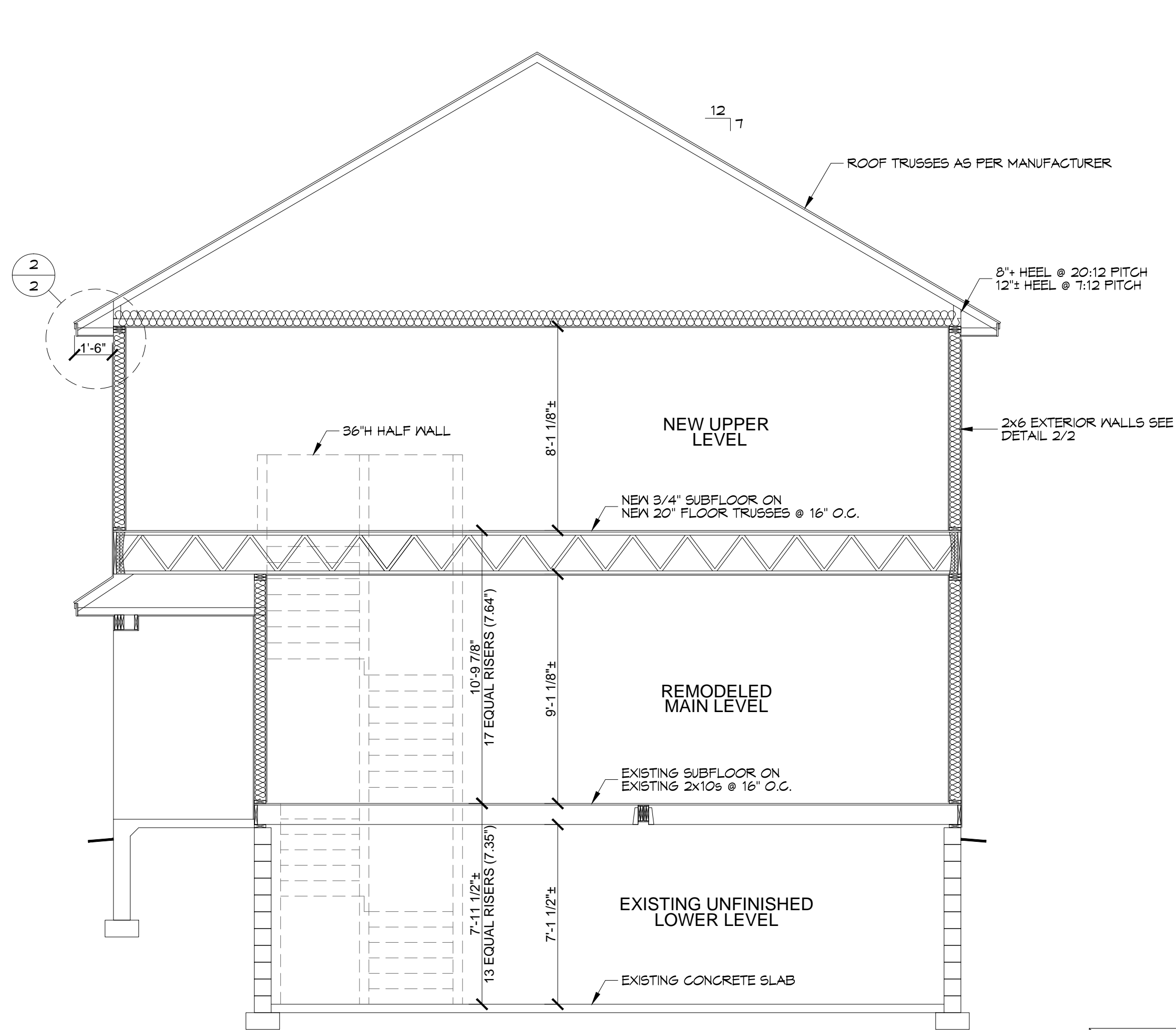
THESE IDEAS, DESIGNS, DRAWINGS AND SPECIFICATIONS ARE AND SHALL REMAIN THE EXCLUSIVE COPYRIGHT PROPERTY OF LINE SCAPES. NO PART SHALL BE USED, COPIED OR DISCLOSED IN CONNECTION WITH ANY WORK OR PROJECT OTHER THAN THE SPECIFIED PROJECT FOR WHICH THEY HAVE BEEN PREPARED, WITHOUT THE WRITTEN CONSENT OF LINE SCAPES. LINE SCAPES ASSUMES NO RESPONSIBILITY FOR STRUCTURAL OR DIMENSIONAL ERRORS OR OMISSIONS. NO WARRANTIES ARE EXPRESSED OR IMPLIED INCLUDING COMPLIANCE OF THIS PLAN WITH APPLICABLE BUILDING CODE REQUIREMENTS. THE SELECTION AND APPLICATION OF CORRECT STRUCTURAL MATERIALS IS THE RESPONSIBILITY OF THE BUILDER, THE OWNER, OR THE USER OF THESE PLANS.

4617 CONCORD TERRACE - EDINA 55424

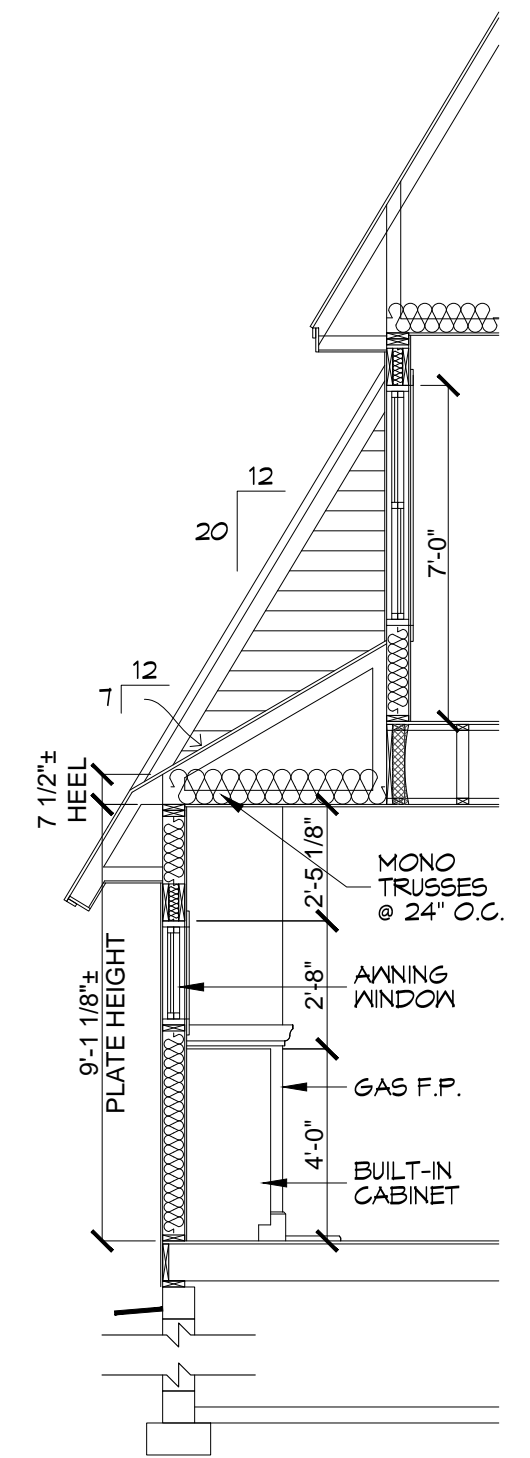
DATE OF PLANS:
5-30-22

SHEET
5

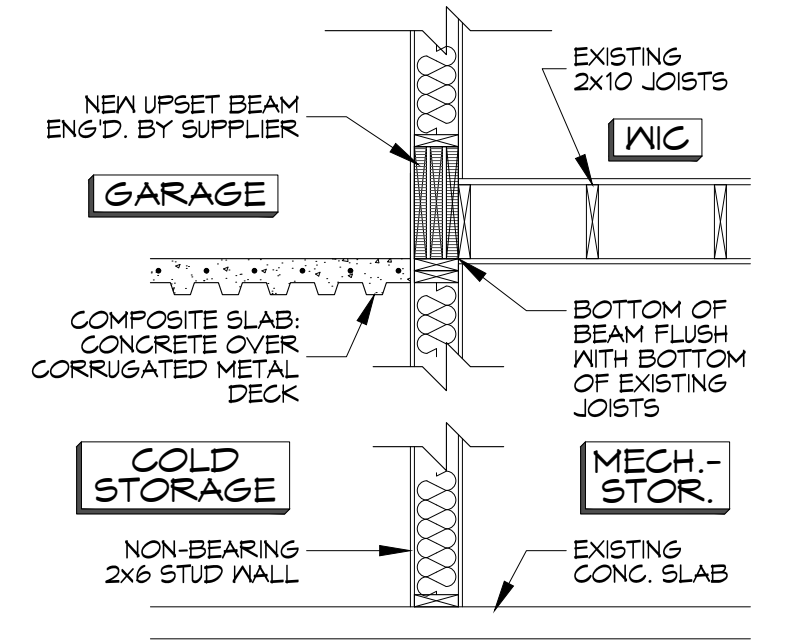




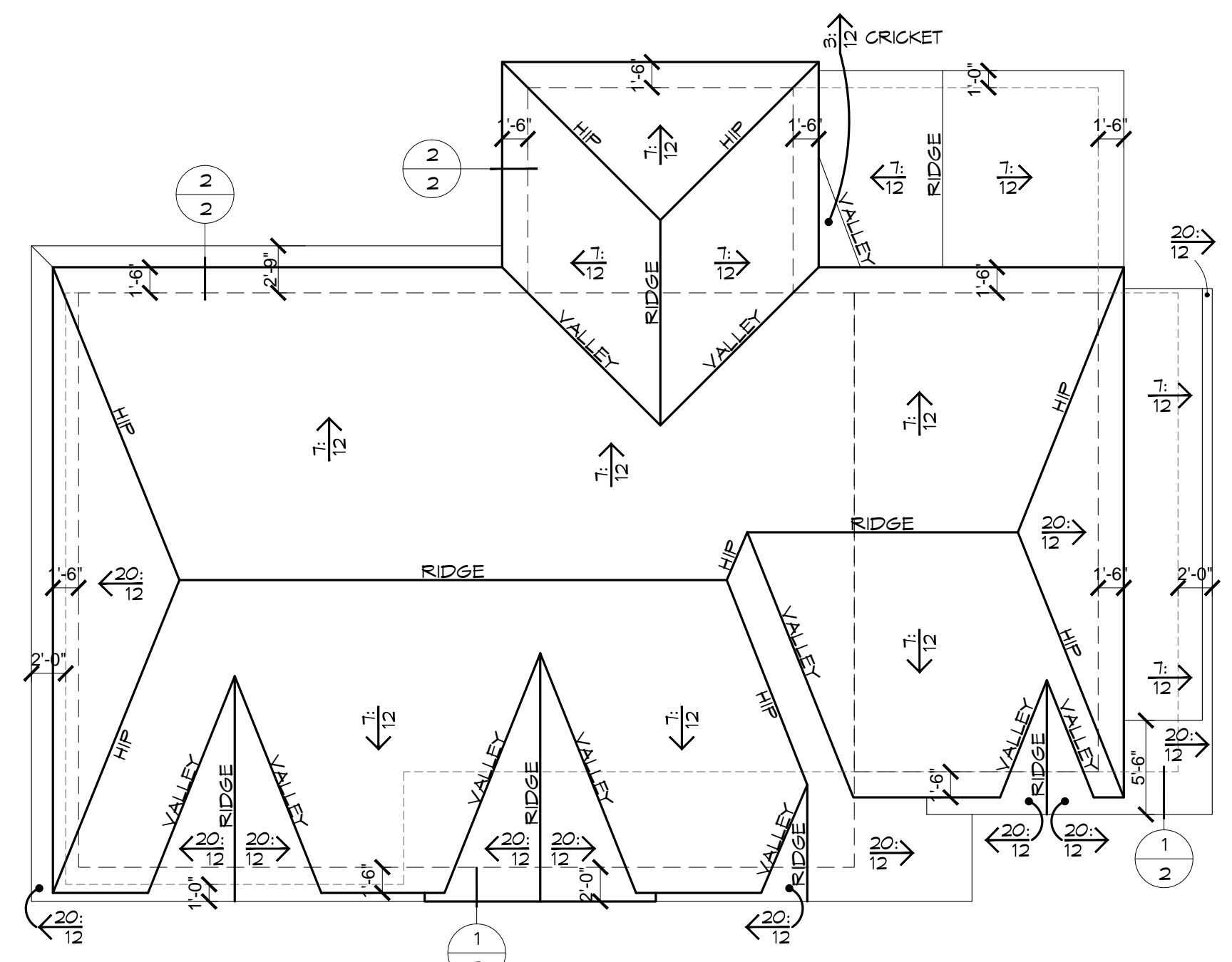
1 SECTION
1/4" = 1'-0"



2 SECTION @ FIREPLACE
1/4" = 1'-0"



3 SECTION
1/2" = 1'-0"



ROOF PLAN
1/8" = 1'-0"



10432 PURDEY ROAD
EDEN PRAIRIE, MN 55347
TEL (952) 829-7600
FAX (952) 829-9080

design & drafting by:

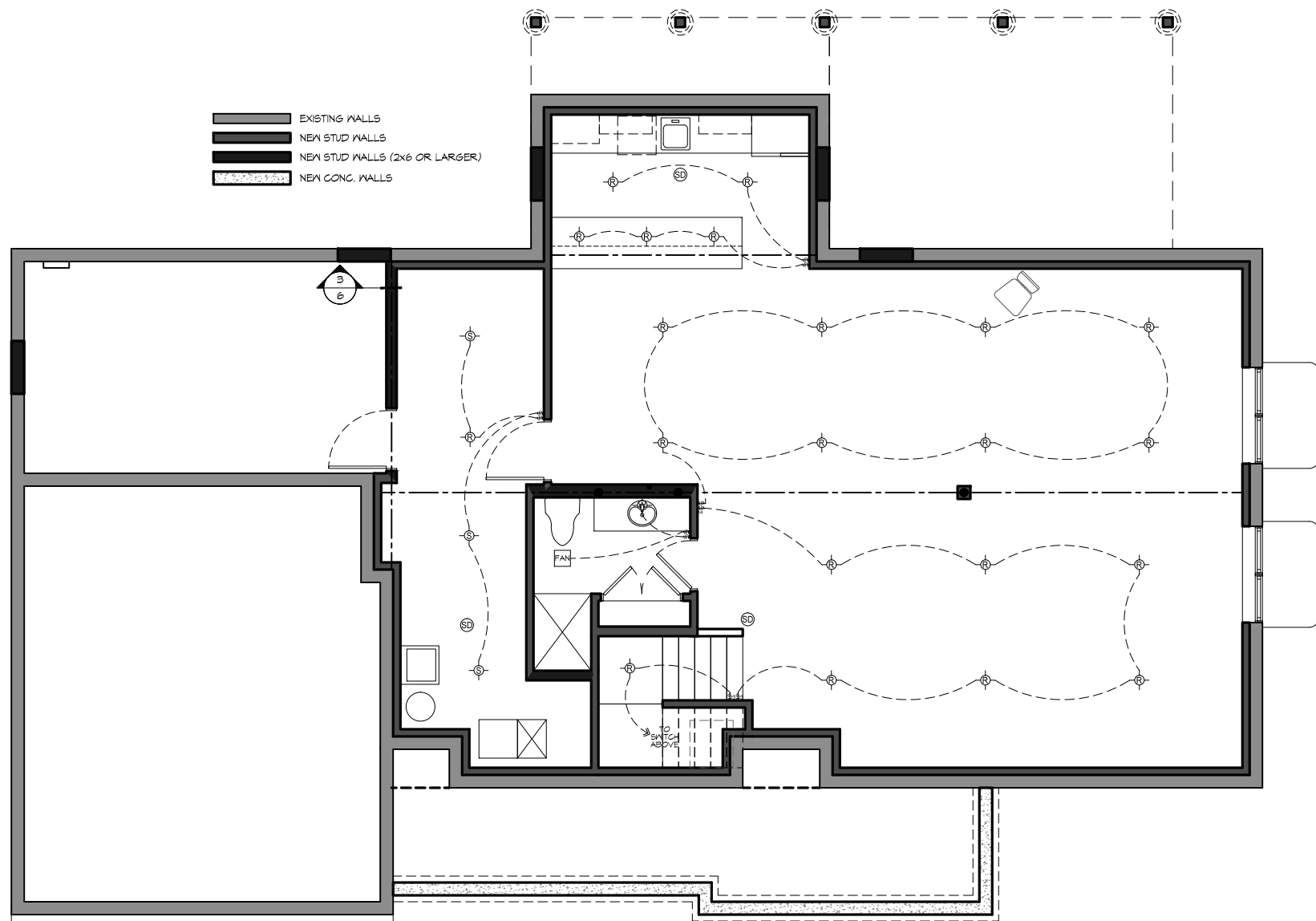


THESE IDEAS, DESIGNS, DRAWINGS AND SPECIFICATIONS ARE AND SHALL REMAIN THE EXCLUSIVE COPYRIGHT PROPERTY OF LINESCAPES. NO PART SHALL BE USED, COPIED OR DISCLOSED IN CONNECTION WITH ANY WORK OR PROJECT OTHER THAN THE SPECIFIED PROJECT FOR WHICH THEY HAVE BEEN PREPARED, WITHOUT THE WRITTEN CONSENT OF LINESCAPES. LINESCAPES ASSUMES NO RESPONSIBILITY FOR STRUCTURAL OR DIMENSIONAL ERRORS OR OMISSIONS. NO WARRANTIES ARE EXPRESSED OR IMPLIED INCLUDING COMPLIANCE OF THIS PLAN WITH APPLICABLE BUILDING CODE REQUIREMENTS. THE SELECTION AND APPLICATION OF CORRECT STRUCTURAL MATERIALS IS THE RESPONSIBILITY OF THE BUILDER, THE OWNER, OR THE USER OF THESE PLANS.

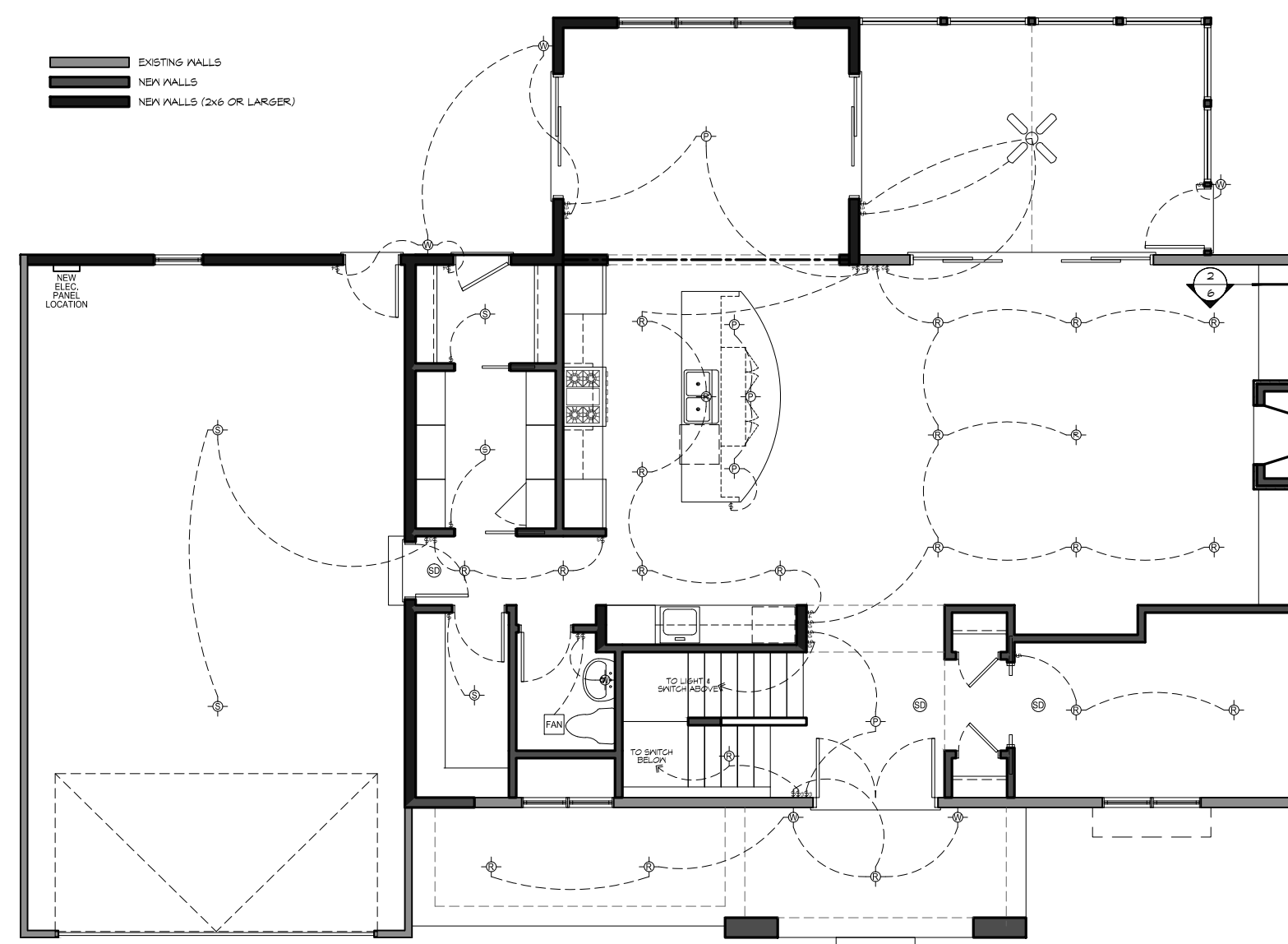
4617 CONCORD TERRACE - EDINA 55424

DATE OF PLANS:
5-30-22

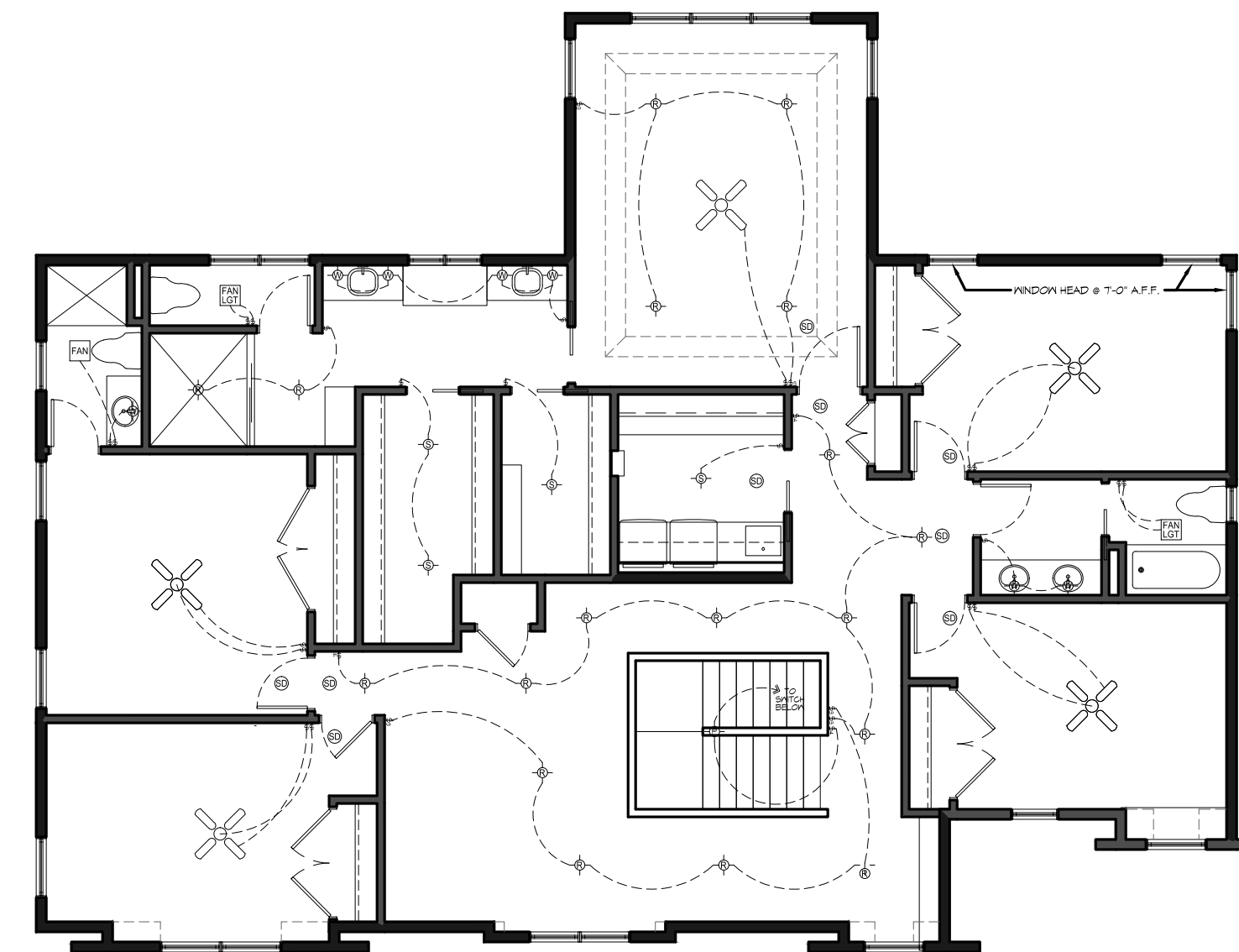
SHEET
6



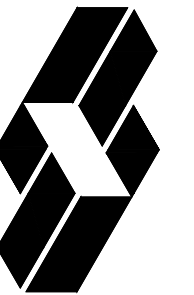
LOWER LEVEL ELECTRICAL LAYOUT
1/8" = 1'-0"



MAIN LEVEL ELECTRICAL LAYOUT
1/8" = 1'-0"



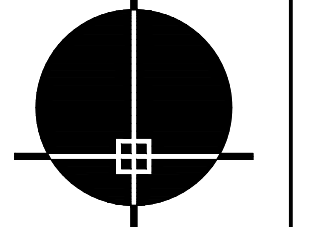
UPPER LEVEL ELECTRICAL LAYOUT
1/8" = 1'-0"



Sather
Design/Build, Inc.

10432 PURDEY ROAD
EDEN PRAIRIE, MN 55347
TEL (952) 829-7600
FAX (952) 829-9080

design & drafting by:



LINESCAPES
architectural
services LLC
952-942-6891

THESE IDEAS, DESIGNS, DRAWINGS AND SPECIFICATIONS ARE AND SHALL REMAIN THE EXCLUSIVE COPYRIGHT PROPERTY OF LINESCAPES. NO PART SHALL BE USED, COPIED OR DISCLOSED IN CONNECTION WITH ANY WORK OR PROJECT OTHER THAN THE SPECIFIED PROJECT FOR WHICH THEY HAVE BEEN PREPARED, WITHOUT THE WRITTEN CONSENT OF LINESCAPES. LINESCAPES ASSUMES NO RESPONSIBILITY FOR STRUCTURAL OR DIMENSIONAL ERRORS OR OMISSIONS. NO WARRANTIES ARE EXPRESSED OR IMPLIED INCLUDING COMPLIANCE OF THIS PLAN WITH APPLICABLE BUILDING CODE REQUIREMENTS. THE SELECTION AND APPLICATION OF CORRECT STRUCTURAL MATERIALS IS THE RESPONSIBILITY OF THE BUILDER, THE OWNER, OR THE USER OF THESE PLANS.

4617 CONCORD TERRACE - EDINA 55424

DATE OF PLANS:
5-30-22

SHEET
7